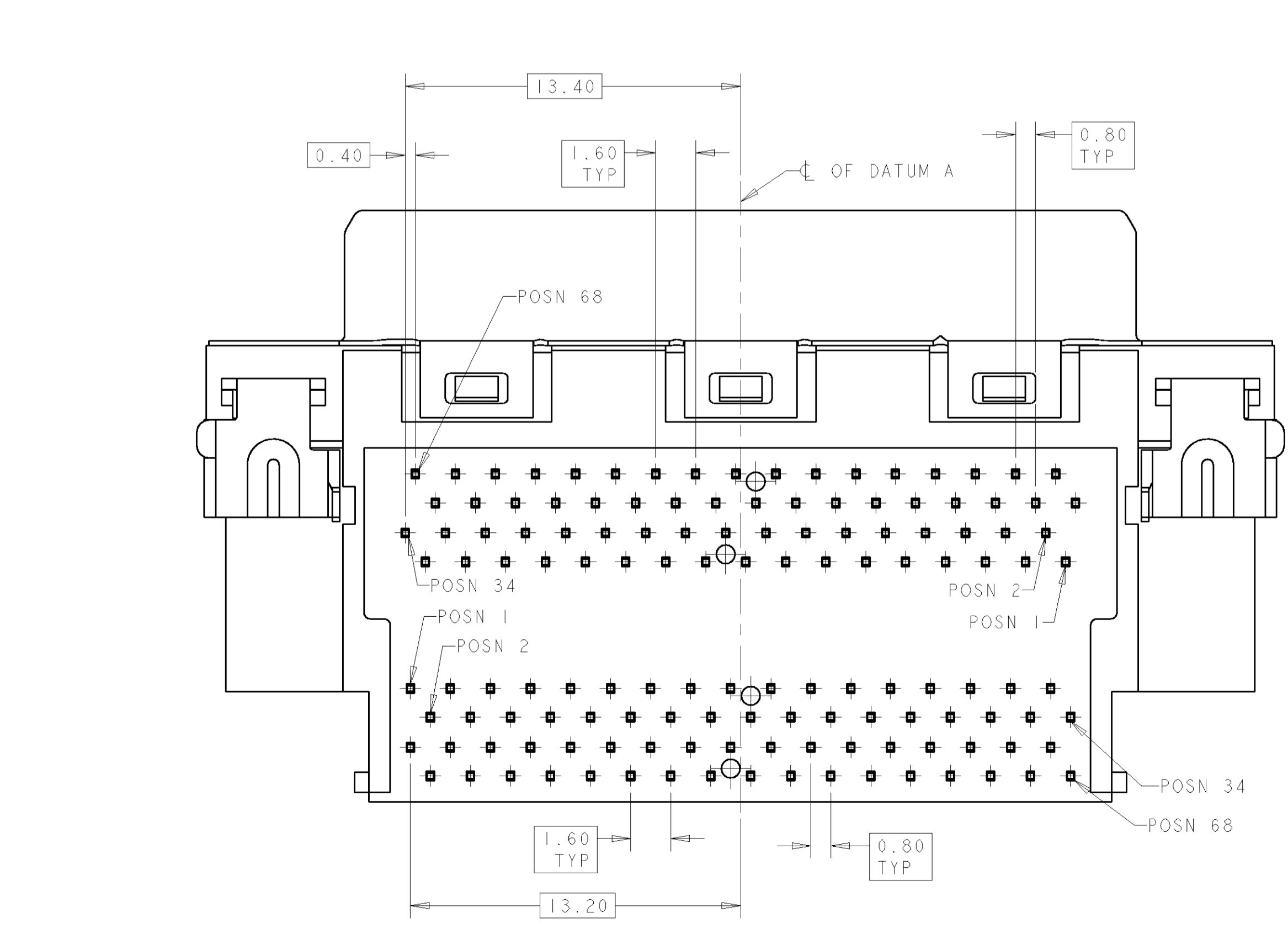
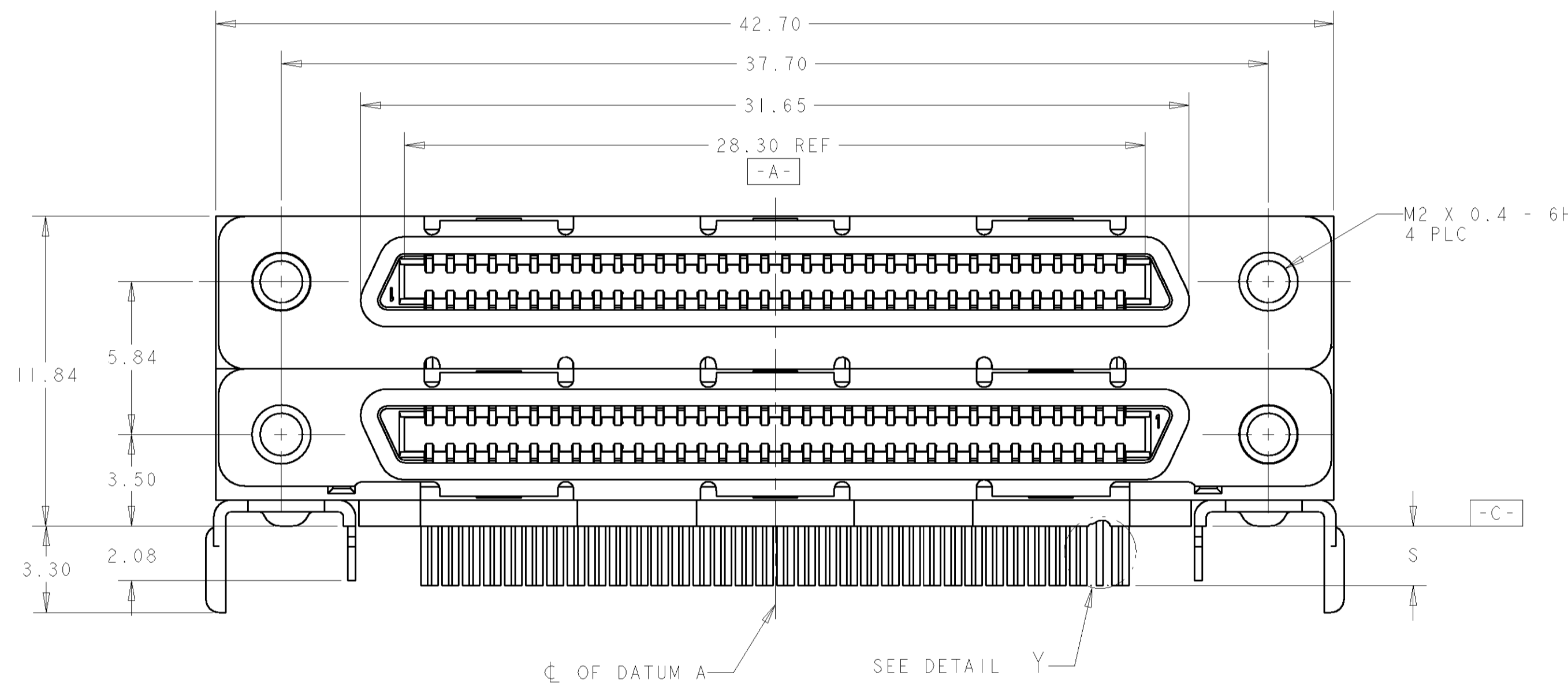
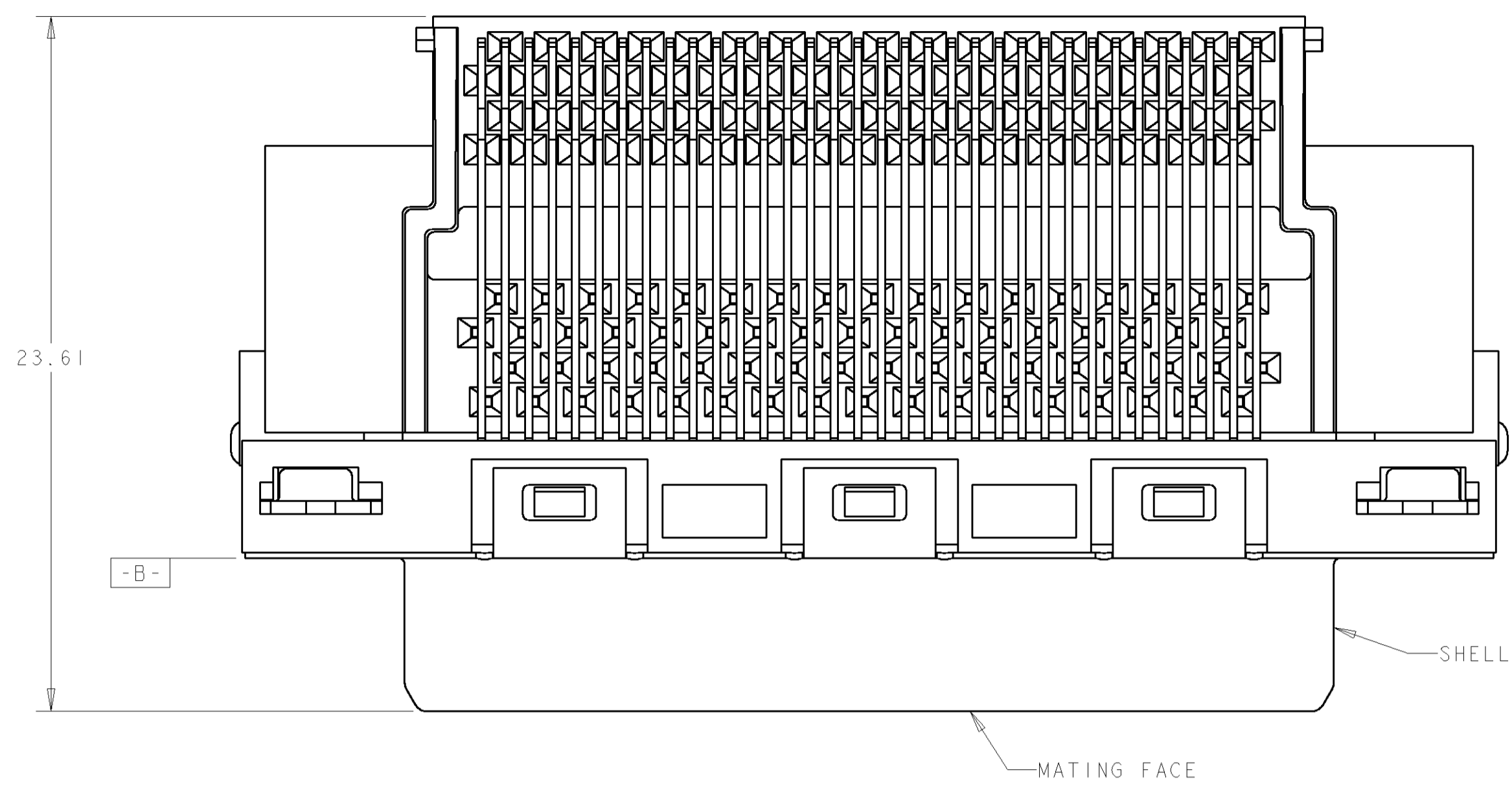
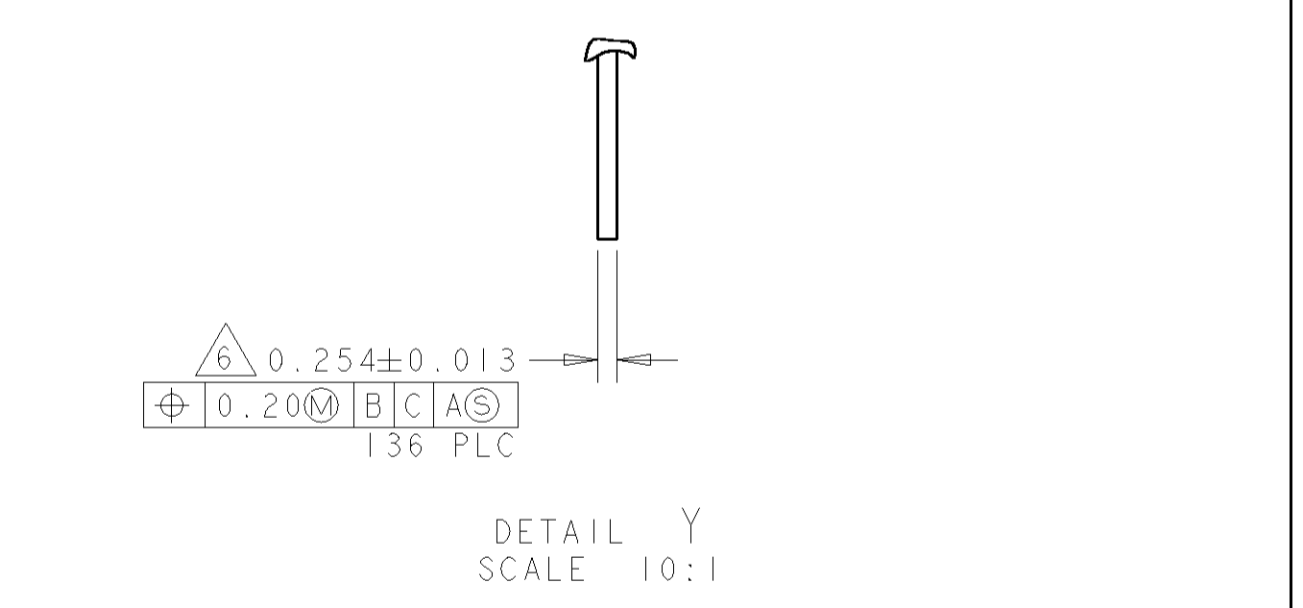
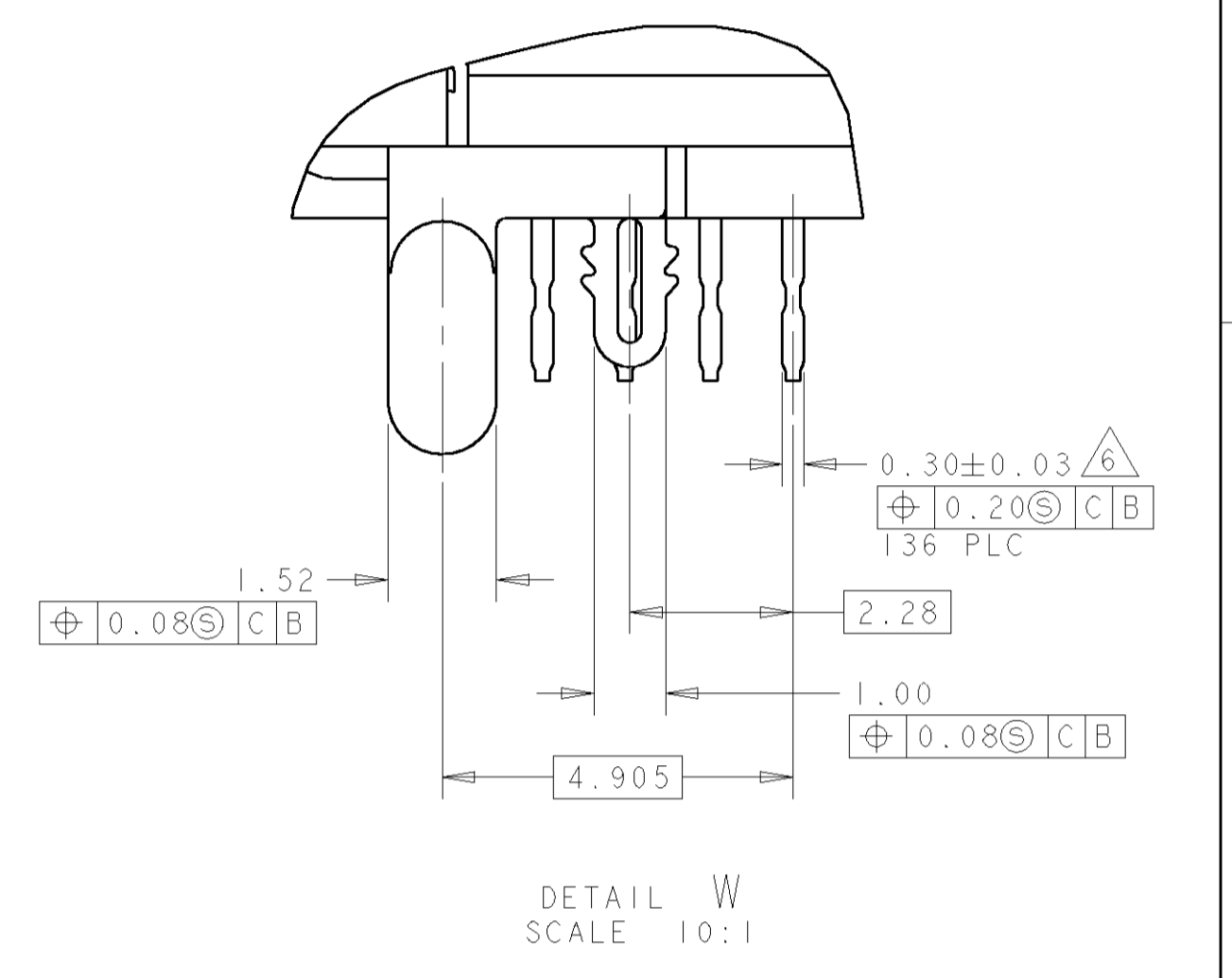
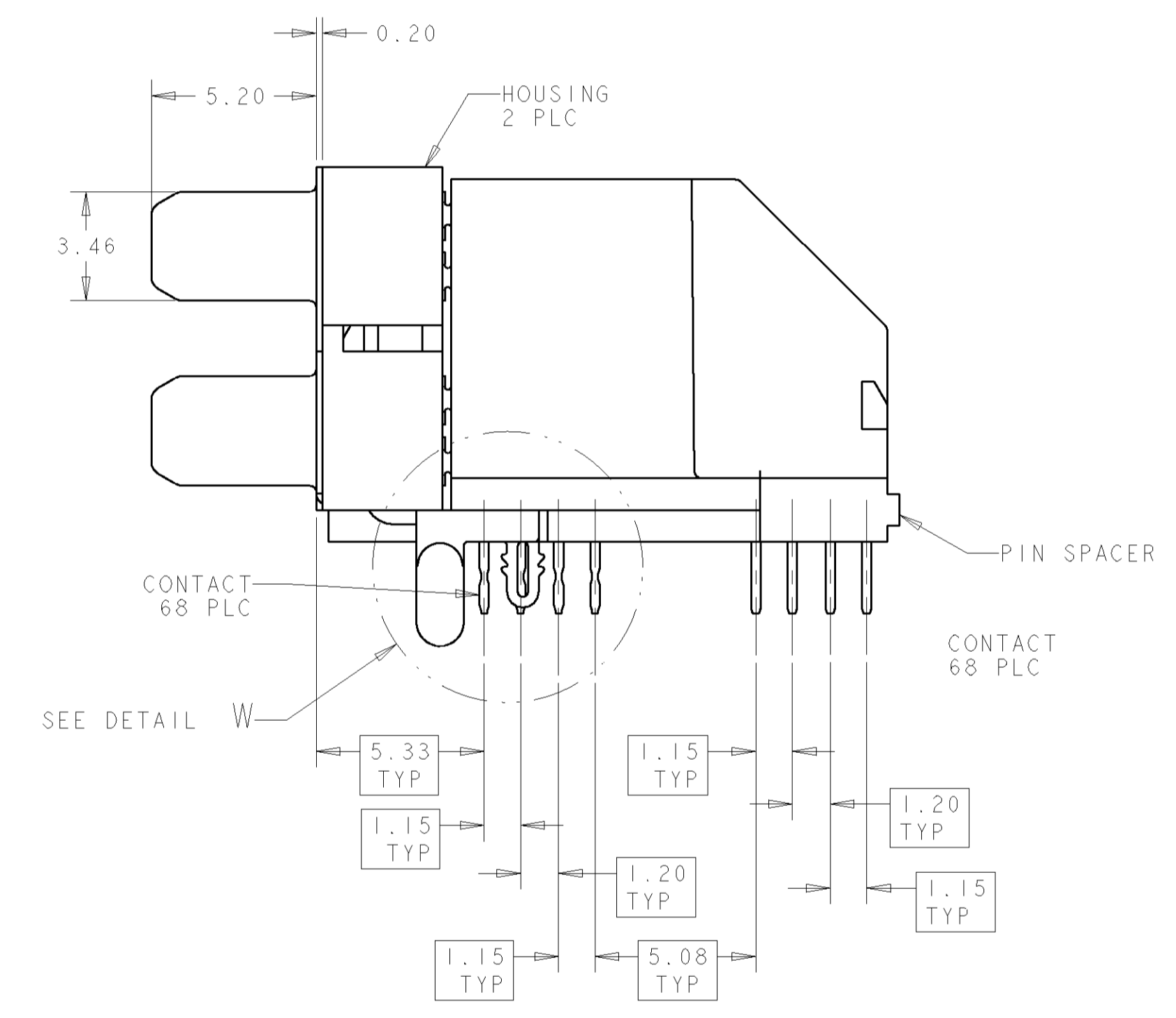


LOC	DIST	REVISIONS				
		REV	DESCRIPTION	DATE	BY	APPD
BD	84	E	REVISED PER EC OSIC-0087-00	28JUL00	JG	CF
		F	REVISED PER EC OSIC-0141-00	02OCT00	JG	CF



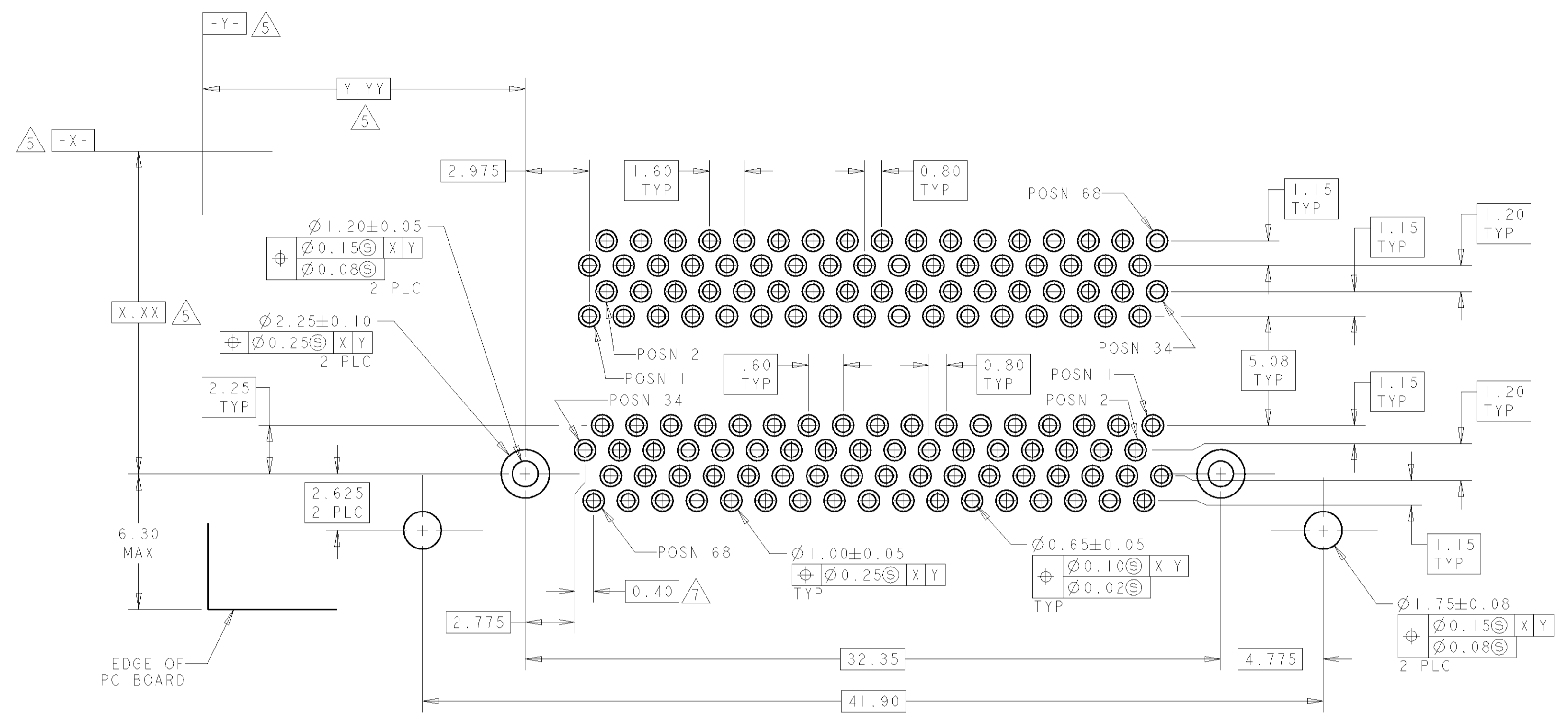
- 1 MOLDING PARTS: THERMOPLASTIC, BLACK, UL 94V-0 RATED.  
SHELL: CARBON STEEL.  
CONTACTS: PHOSPHOR BRONZE.  
BRACKETS: STEEL.
- 2 SHELL: 5.08µm MIN NICKEL OVER 6.35µm MIN COPPER.  
CONTACTS: 0.076µm MIN GOLD OVER 0.76µm MIN PALLADIUM NICKEL ON MATING END,  
3.75µm MIN TIN-LEAD ON OPPOSITE END, BOTH OVER 1.27µm-2.03µm NICKEL.  
BRACKETS: TIN PLATED.
- 3 CONTACTS DESIGNED FOR USE ON 1.60±0.15 THICK PC BOARD WITH  
PLATED THRU MOUNTING HOLES.
- 4 RECEPTACLE ASSEMBLY DESIGNED FOR USE WITH 1.12±0.08 THICK PANEL.
- 5 DATUMS AND DIMENSIONS ESTABLISHED BY CUSTOMER.
- 6 POSITION TOLERANCE APPLIES AT CONTACT TIP ONLY.
- 7 OFFSET DIMENSION APPLIES TO LOWER FOOTPRINT ONLY.
- 8 CONTACTS DESIGNED FOR USE ON 2.35±0.15 THICK PC BOARD WITH  
PLATED THRU MOUNTING HOLES.



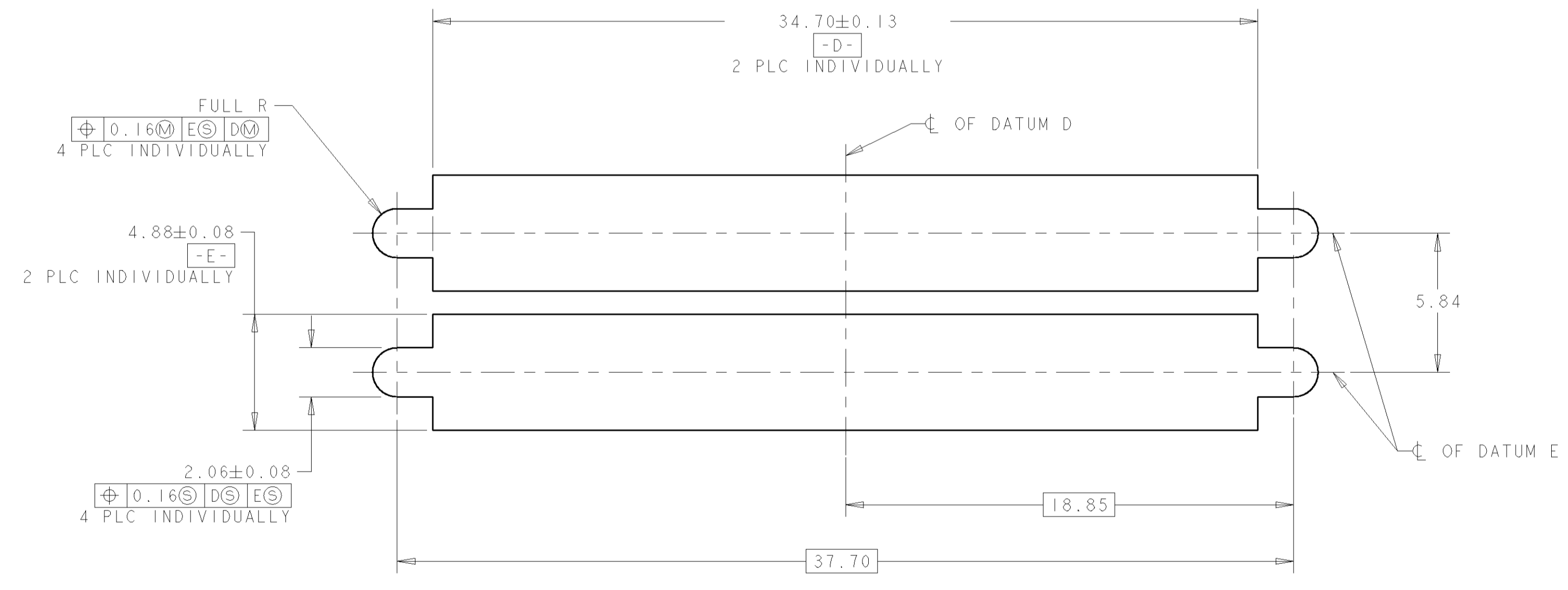
REMARKS	SCALE	SHEET	OF	REV
S	3.55	1	2	F
	2.27			

<small>THIS DRAWING IS A CONTROLLED DOCUMENT FOR AMP INCORPORATED. ALL DIMENSIONS ARE TO BE CONTROLLED ON RECEIVING. QUALIFICATION SHOULD BE CONTACTED FOR THE LATEST REVISION.</small>		DWN: K. FOLTZ 01AUG97 ENR: L. CASTAGNA 01AUG97 APVD: L. CASTAGNA 01AUG97	AMP Incorporated Harrisburg, PA 17105-3608
DIMENSIONS: mm	TOLERANCES UNLESS OTHERWISE SPECIFIED: 0 PLC ± 1 PLC ±0.13 2 PLC ±0.13 3 PLC ± 4 PLC ± ANGLES ±1°	NAME: RECEPTACLE ASSEMBLY, 68 POSITION, STACKED, RIGHT ANGLE, CHAMP 0.8mm PRODUCT SPEC: 108-1471-1 APPLICATION SPEC: 114-6057	SIZE: 6:1 CAGE CODE: 00779 DRAWING NO: 787962 RESTRICTED TO: F
MATERIAL: 1	FINISH: 2	WEIGHT: -	CUSTOMER DRAWING

LOC	DIST	REVISIONS			
BD	84	REV	DATE	BY	APPD
		F			
		SEE SHEET 1			



PC BOARD MOUNTING DIMENSIONS



PANEL CUT-OUT DIMENSIONS

<small>THIS DRAWING IS A CONTROLLED DOCUMENT FOR AMP INCORPORATED. ALL CHANGES TO THIS DRAWING MUST BE APPROVED BY THE CONTROLLING ENGINEERING ORGANIZATION. SHOULD BE CONTACTED FOR THE LATEST REVISION.</small>		DWN: K. FOLTZ 01AUG97 ENR: L. CASTAGNA 01AUG97 APVD: L. CASTAGNA 01AUG97	<b>AMP</b> AMP Incorporated Harrisburg, PA 17105-3608
DIMENSIONS: mm 	TOLERANCES UNLESS OTHERWISE SPECIFIED: 0 PLC ± 1 PLC ± 2 PLC ±0.13 3 PLC ± 4 PLC ± ANGLES ±1°	NAME: RECEPTACLE ASSEMBLY, 68 POSITION, STACKED, RIGHT ANGLE, CHAMP 0.8mm PRODUCT SPEC: 108-1471-1 APPLICATION SPEC: 114-6057 WEIGHT: - FINISH: -	SIZE: A CASE CODE: 00779 DRAWING NO: C-787962 RESTRICTED TO: - SCALE: 6:1 SHEET: 2 OF 2 REV: F
MATERIAL: -		CUSTOMER DRAWING	