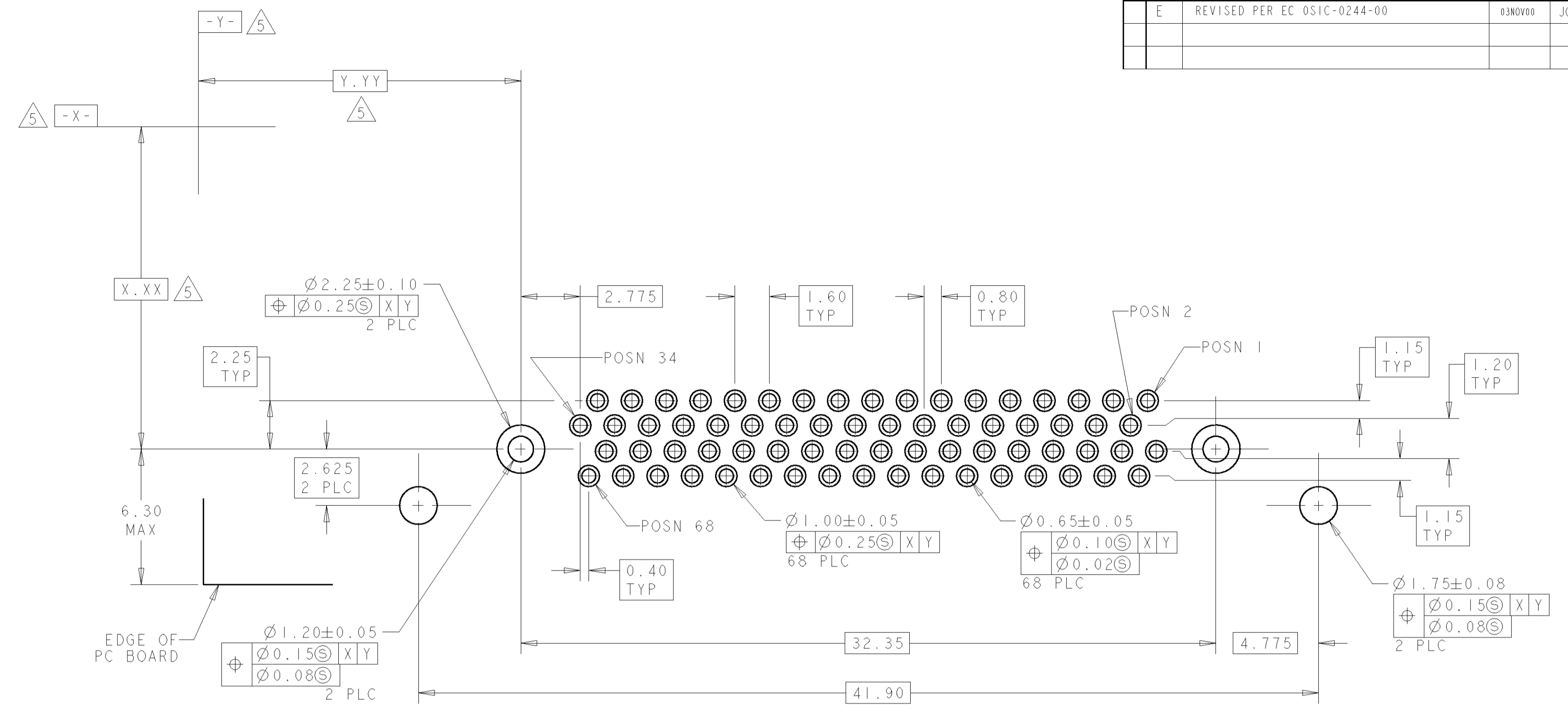
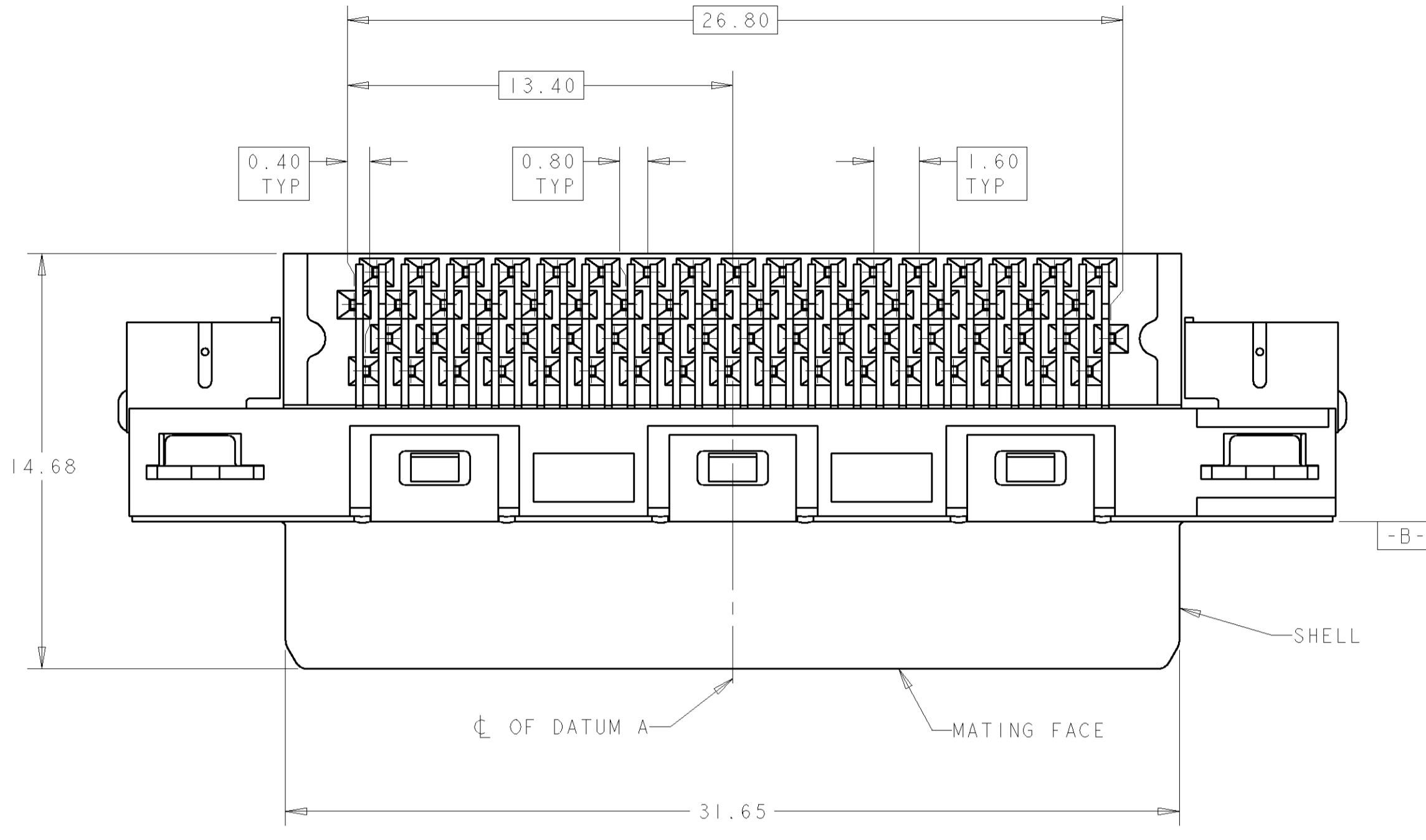
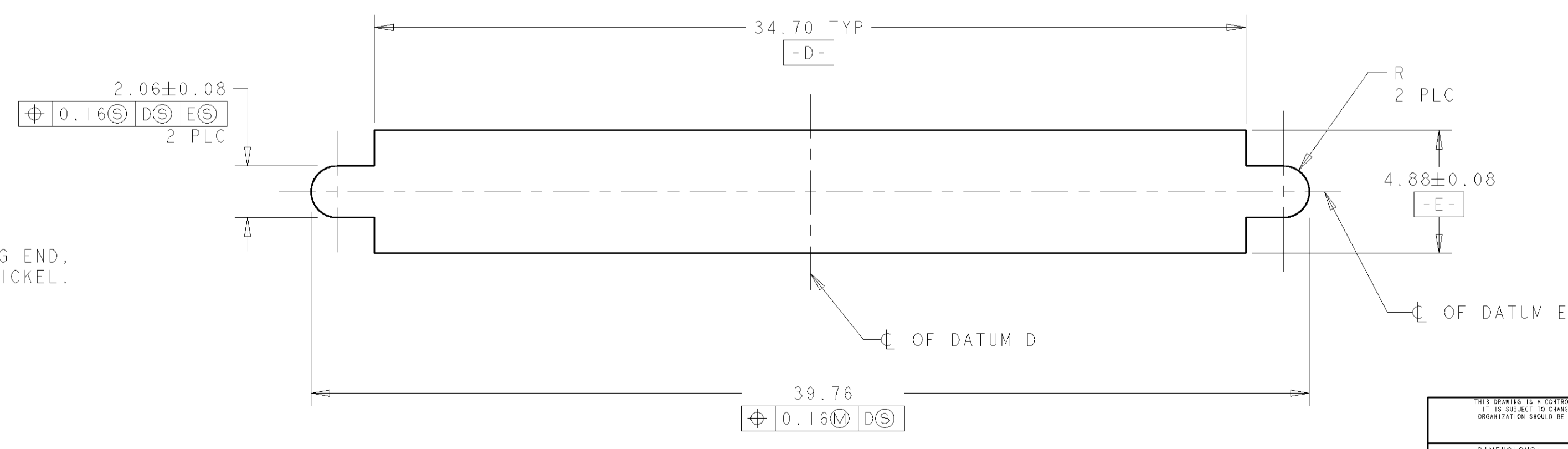
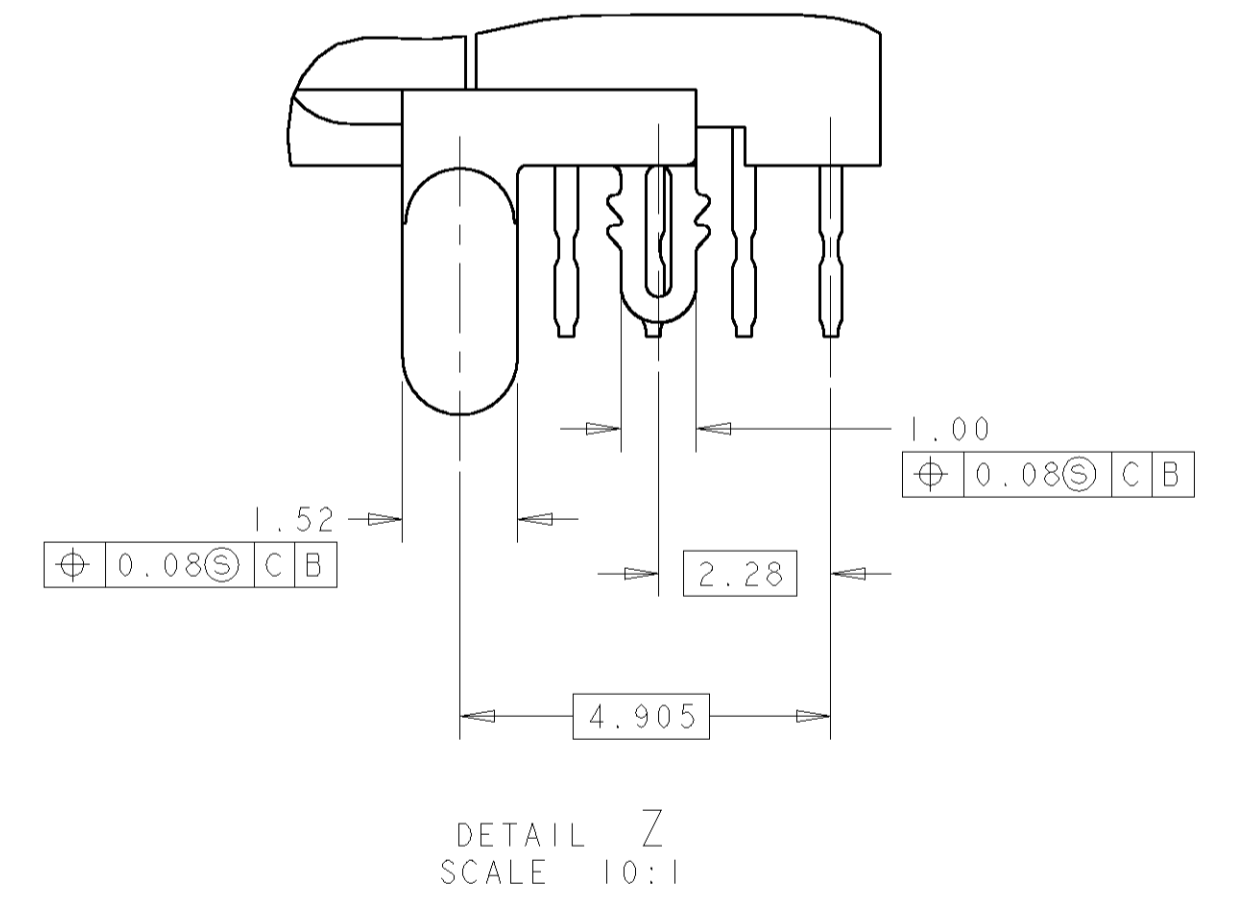
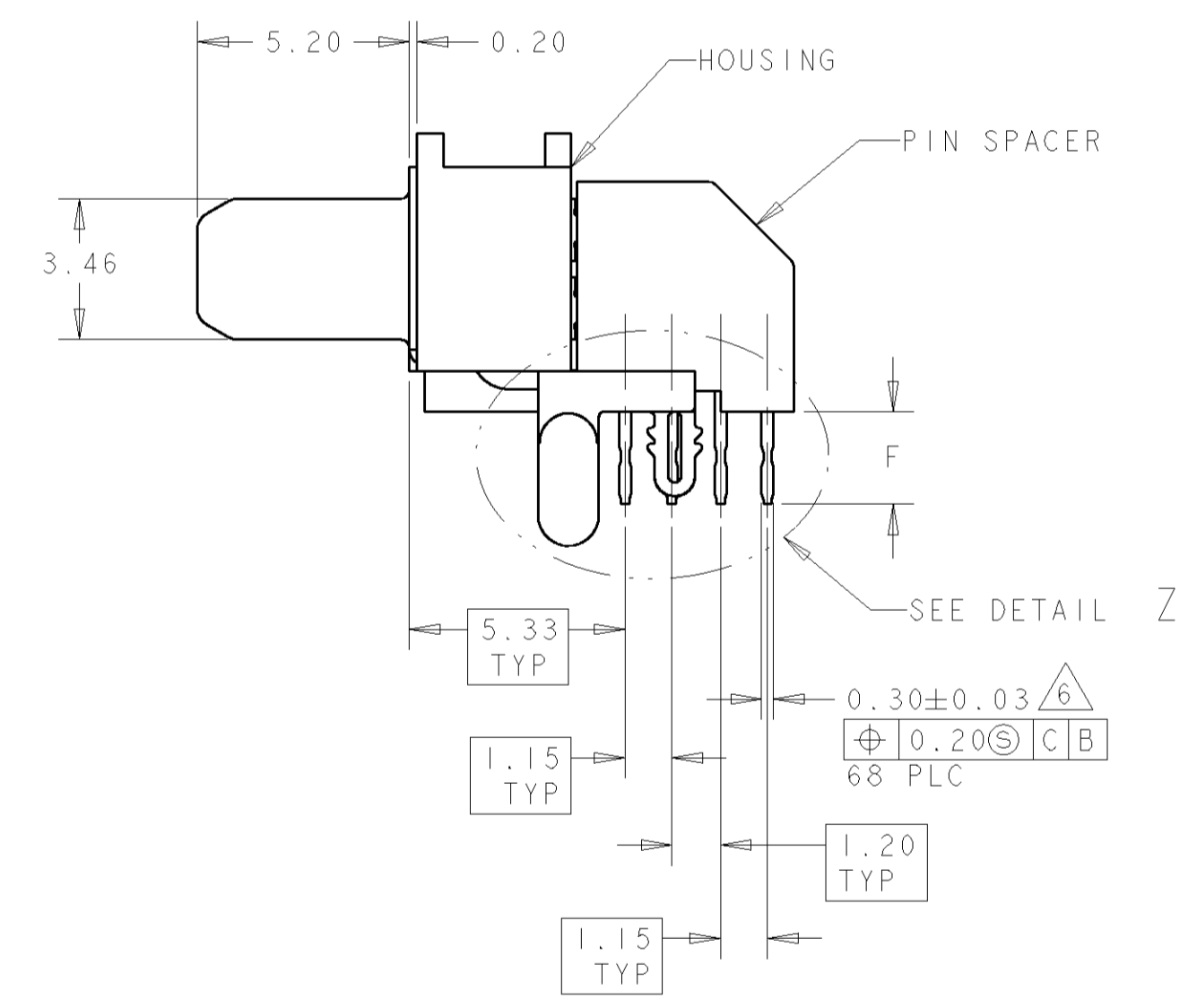
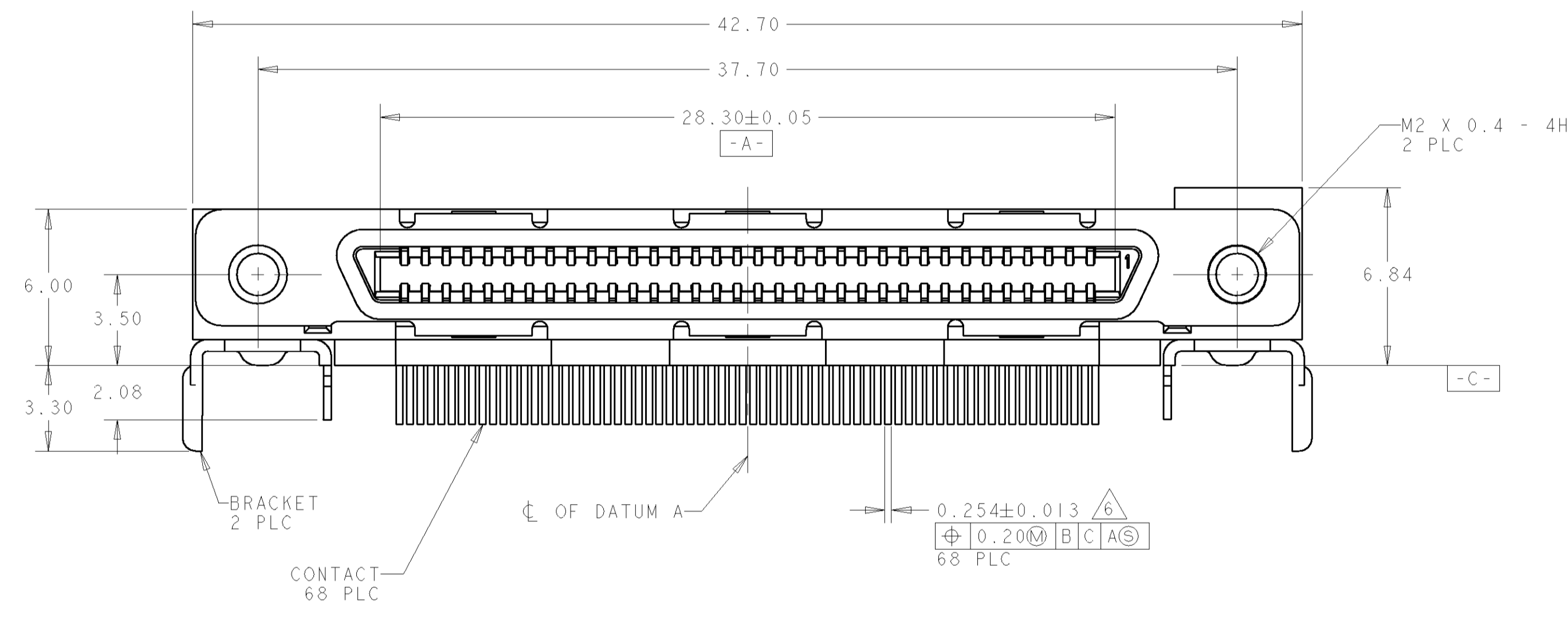


LOC	DIST	REV	DATE	BY	CHKD
BD	84				
		D	030CT00	JG	CF
		E	03NOV00	JG	CF



PC BOARD MOUNTING DIMENSIONS



- 1 HOUSING & PIN SPACER: THERMOPLASTIC, BLACK, UL 94V-0 RATED. SHELL: CARBON STEEL. CONTACTS: PHOSPHOR BRONZE. BRACKETS: STEEL.
- 2 SHELL: 5.08µm MIN NICKEL OVER 6.35µm MIN COPPER. CONTACTS: 0.076µm MIN GOLD OVER 0.76µm MIN PALLADIUM NICKEL ON MATING END. 3.75µm MIN TIN-LEAD ON OPPOSITE END, BOTH OVER 1.27µm-2.03µm NICKEL. BRACKETS: TIN PLATED.
- 3 CONTACTS DESIGNED FOR USE ON 1.60±0.15 THICK PC BOARD WITH PLATED THRU MOUNTING HOLES.
- 4 RECEPTACLE ASSEMBLY DESIGNED FOR USE WITH 1.12±0.08 THICK PANEL.
- 5 DATUMS AND DIMENSIONS ESTABLISHED BY CUSTOMER.
- 6 POSITION TOLERANCE APPLIES AT CONTACT TIP ONLY.
- 7 CONTACTS DESIGNED FOR USE ON 2.35±0.15 THICK PC BOARD WITH PLATED THRU MOUNTING HOLES.

SUPERSEDED BY 796055-1

REV	DATE	BY	CHKD
3	2-27		796055-3
2	3-55		796055-2
1	2-27		796055-1

<p>AMP Incorporated Harrisburg, PA 17105-3608</p>	
<p>DRAWN: S. WELDON 06APR98 ENGR: R. STONE 09APR98 APPROV: T. BARR 09APR98</p>	<p>NAME: RECEPTACLE ASSEMBLY, 68 POSITION, SHIELDED, RIGHT ANGLE, CHAMP 0.8mm SIZE: 00779 C=796055 SCALE: 6:1</p>
<p>DIMENSIONS: mm TOLERANCES UNLESS OTHERWISE SPECIFIED: 0 PLC ± 1 PLC ±0.13 2 PLC ±0.13 3 PLC ± 4 PLC ± ANGLES ±1°</p>	<p>PRODUCT SPEC: - APPLICATION SPEC: - WEIGHT: - MATERIAL: - FINISH: -</p>
<p>CUSTOMER DRAWING</p>	